

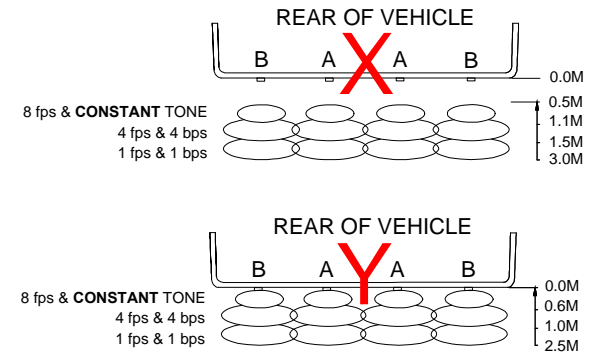
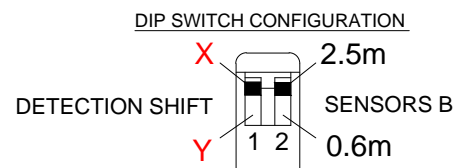
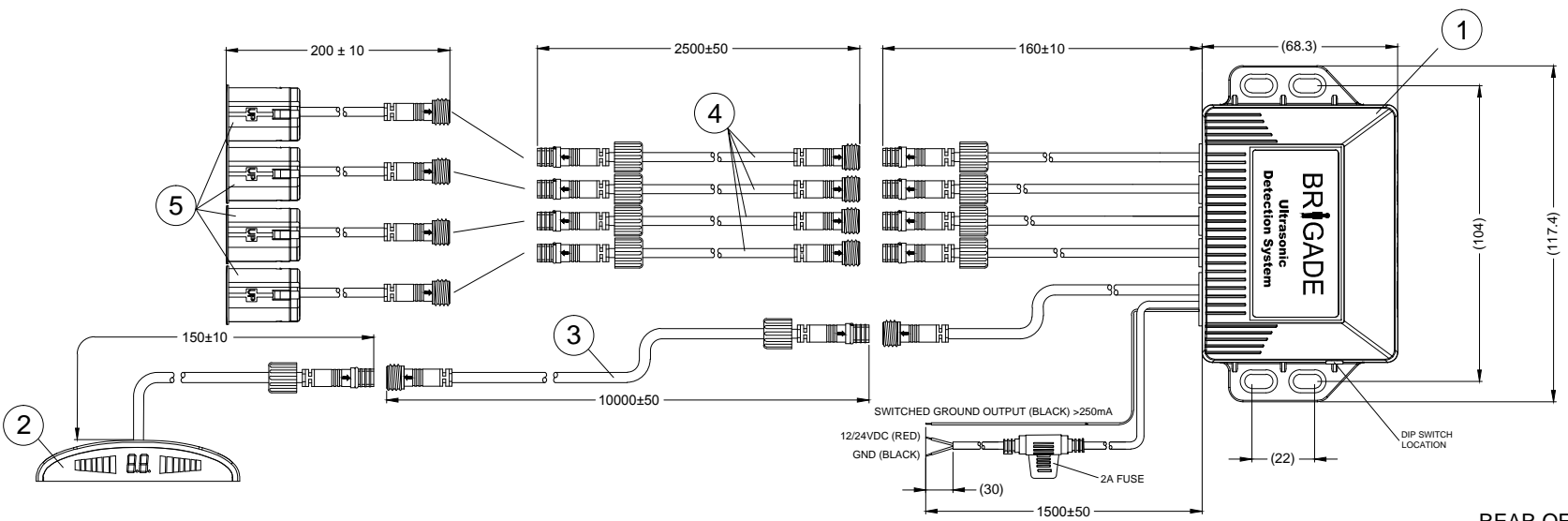
Revision Notes.				
R1 - Changes from base product text changed to now include UDS-IG (3726)				
APA: -	Drawn:MP	Checked:RB	Approved:D.W	Date: 11.01.2016

ITEM	STOCK CODE	QTY	DESCRIPTION
①	(3745)	1	BS-4000W-ECU
②	(3749)	1	UDS-001DP
③	(3716)	1	UDS-10BC
④	(3719)	4	UDS-2.5SC
⑤	(3718)	4	UDS-000HSS
⑥	(3724)	4	UDS-18SS (NOT SHOWN)
⑦	(3728)	1	UDS-IG (NOT SHOWN)

CHANGES FROM BASE PRODUCT BS-4000W (3744) TO BS-4000W(18SS) (4764)

- CHANGE:
1. UDS-15BC (3746) REPLACED WITH UDS-10BC (3716)
 2. 4 X UDS-00SS (3721) REMOVED
 3. 4 X UDS-11SS (3723) REMOVED
 4. UDS-04-SMK (4028) REMOVED
 5. 4 X UDS-18SS (3724) ADDED
 6. BS-4000W GIFTBOX LABEL REPLACED WITH BS-4000W(18SS) GIFTBOX LABEL

OPERATION: SAME AS BASE PRODUCT



- NOTES:
1. ALL AUDIBLE WARNINGS ARE MEASURED IN BEEPS PER SECOND (bps).
 2. VISUAL WARNING IS NUMERICAL AND IN METRES WITH COLOURED SEGMENTS LEFT AND RIGHT.
 3. ON START-UP THE SYSTEM WILL BEEP ONCE FOR ONE FAULTY SENSOR, TWICE FOR TWO FAULTY SENSORS ETC..
 4. THE ECU IS FULLY POTTED.
 5. DIP SWITCH 1 SWITCHES DETECTION BETWEEN (X & Y). THE DISPLAY RANGE WILL ALWAYS SHOW 0.0 - 2.5m.
 6. DIP SWITCH 2 SWITCHES OUTER SENSORS BETWEEN 0.6M & 2.5M
 7. DETECTION CAN BE SHIFTED 0.5m AWAY FROM THE SENSORS. TO ACCOMMODATE UNDERBODY FITMENT.(X & Y)
 8. GROUND OUTPUT ON BLACK WIRE OPERATES DURING DETECTION.(MAXIMUM CURRENT 250mA)
 9. SEE COMPONENT DRAWINGS FOR COMPONENT DETAIL.
 10. CONTENTS LIST ON INNER GIFTBOX NOT PRINTED.

PROPRIETARY NOTICE
 THIS DESIGN AND TECHNICAL INFORMATION APPEARING ON THIS DRAWING IS THE PROPERTY OF BRIGADE ELECTRONICS, AND IS DISCLOSED IN CONFIDENCE. IT IS NOT TO BE COPIED, REPRODUCED, REVEALED TO OR EXPROPRIATED BY OTHERS, EITHER IN WHOLE OR IN PART WITHOUT THE EXPRESS WRITTEN CONSENT OF BRIGADE ELECTRONICS.



Assembly Pl Approval ALLEN YAO 20/10/14	Approved by B.CHILDS	Checked by R.BATES	Drawn by P.MISSEN
Angle of Projection Third Angle	Units mm	Scale N/A	Released 20/10/14
Status RELEASED	BS-4000W(18SS)		
Part No 4764	BE-002998-01-14		